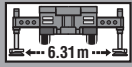
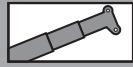


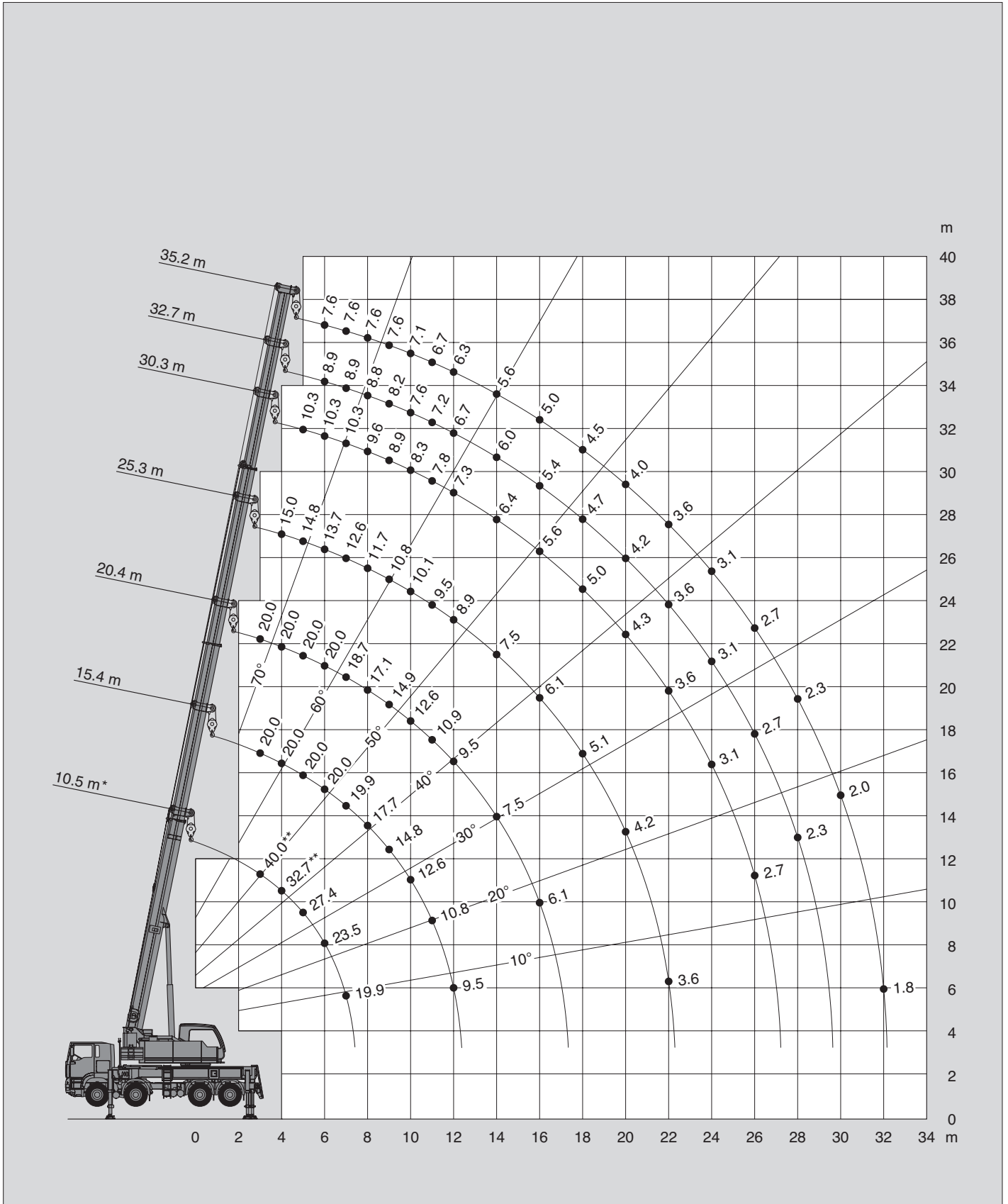
Hubhöhen  
Lifting heights



8.5 t




DIN/ISO/EN





DIN/ISO/EN

 m	10.5 m*	10.5 m	15.4 m	20.4 m	25.3 m	30.3 m	32.7 m	35.2 m
3.0	40.0**	35.0**	20.0	20.0	15.0			
3.5	36.0**	32.4**	20.0	20.0	15.0			
4.0	32.7**	29.8	20.0	20.0	15.0			
4.5	29.9	27.6	20.0	20.0	15.0	10.3		
5.0	27.4	25.3	20.0	20.0	14.8	10.3		
6.0	23.5	21.8	20.0	20.0	13.7	10.3	8.9	7.6
7.0	19.9	19.7	19.9	18.7	12.6	10.3	8.9	7.6
8.0			17.7	17.1	11.7	9.6	8.8	7.6
9.0			14.8	14.9	10.8	8.9	8.2	7.6
10.0			12.6	12.6	10.1	8.3	7.6	7.1
11.0			10.8	10.9	9.5	7.8	7.2	6.7
12.0			9.5	9.5	8.9	7.3	6.7	6.3
14.0				7.5	7.5	6.4	6.0	5.6
16.0				6.1	6.1	5.6	5.4	5.0
18.0					5.1	5.0	4.7	4.5
20.0					4.2	4.3	4.2	4.0
22.0					3.6	3.6	3.6	3.6
24.0						3.1	3.1	3.1
26.0						2.7	2.7	2.7
28.0							2.3	2.3
30.0								2.0
32.0								1.8

\* Nach hinten / \* Over rear

\*\* Mit Zusatzhubausrüstung / \*\* With additional lifting equipment